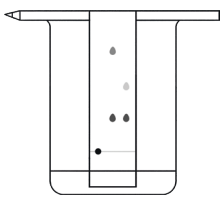


Separating Mixtures

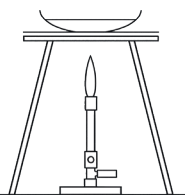
Label each illustration with the name of the separation technique.

Draw one line from each technique to a description of the substances it is used to separate.



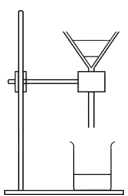
Technique:

A technique used to separate substances that are insoluble in a solvent from substances that are soluble in the solvent.



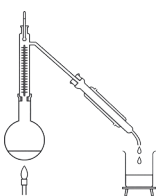
Technique:

A separation technique to obtain a sample of pure salt from a salt solution.



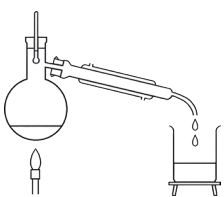
Technique:

A technique that separates miscible liquids with different boiling points.



Technique:

A technique that separates substances based on their solubility in a solvent.



Technique:

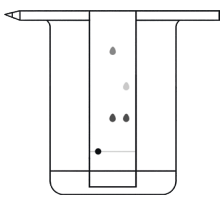
A technique to separate and collect a solvent from a solution.

Key Word	Definition
insoluble	A substance that is unable to dissolve in a solvent.
miscible	Liquids that dissolve in each other.
solubility	A measure of how much of a substance will dissolve in a given volume of solvent, at a particular temperature. A substance that is very soluble has a high solubility.
soluble	A substance that can dissolve in a solvent.
solute	A substance dissolved in a solvent to make a solution.
solution	The mixture formed when a solute is dissolved in a solvent.
solvent	The substance in which a solute dissolves.

Separating Mixtures **Answers**

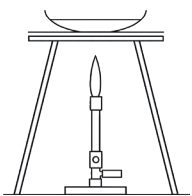
Label each illustration with the name of the separation technique.

Draw one line from each technique to a description of the substances it is used to separate.



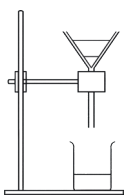
Technique:
Chromatography

A technique used to separate substances that are insoluble in a solvent from substances that are soluble in the solvent.



Technique:
Crystallisation

A separation technique to obtain a sample of pure salt from a salt solution.



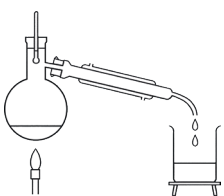
Technique:
Filtration

A technique that separates miscible liquids with different boiling points.



Technique:
Fractional Distillation

A technique that separates substances based on their solubility in a solvent.



Technique:
Simple Distillation

A technique to separate and collect a solvent from a solution.